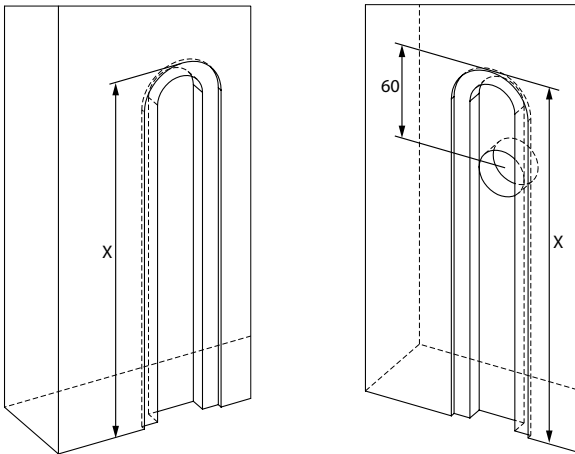
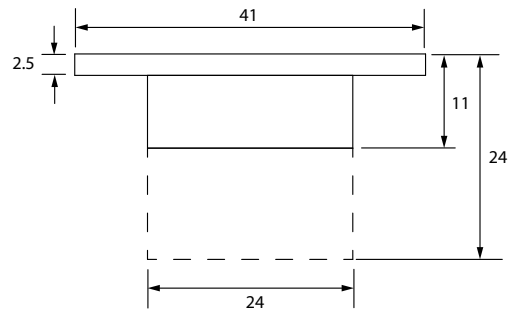


OUTWARD OPENING FITTING INSTRUCTIONS

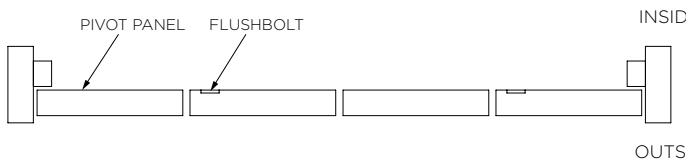
1 INSTALL FLUSH BOLT TO PANEL.



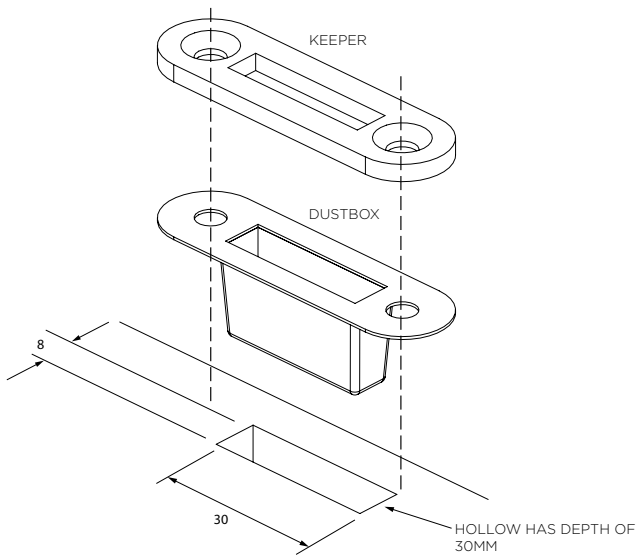
2 COUNTERBORE TO 24MM FOR LOCKABLE FLUSH BOLTS.



3 INSTALL BOLT KEEPER TO SILL.



4 MARK WHERE FLUSH BOLT THROW STRIKES AND NOTCH OUT HOLLOW FOR DUST BOX.



5 FLUSH BOLT REBATE DETAIL.

