

INSTRUCTIONS

SOFT CLOSE POCKET

MAXIMUM DOOR WEIGHT
90kg

Pocket Door Instructions:

Instructions are for installing the Soft Close in a Pocket Door Frame using Coburn Hiwayway Series Track.

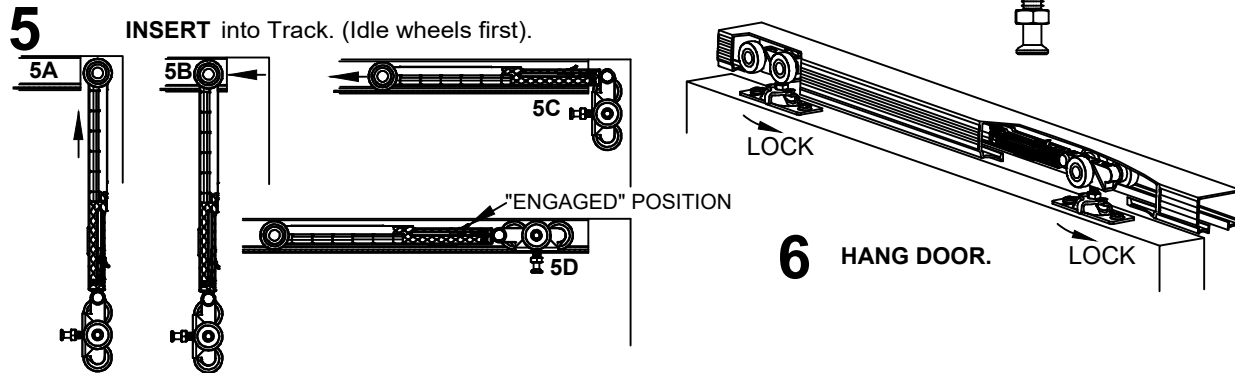
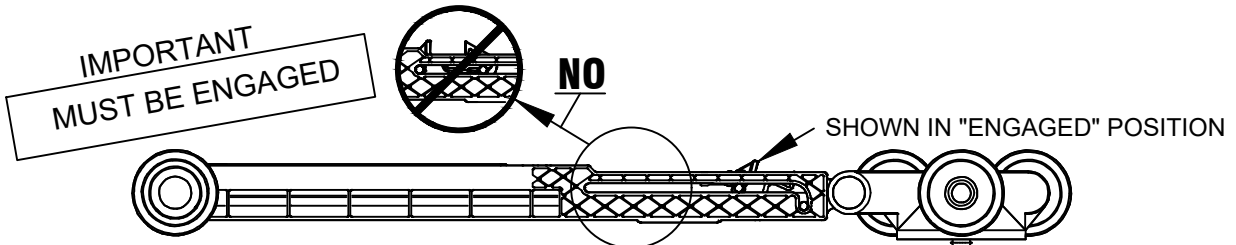
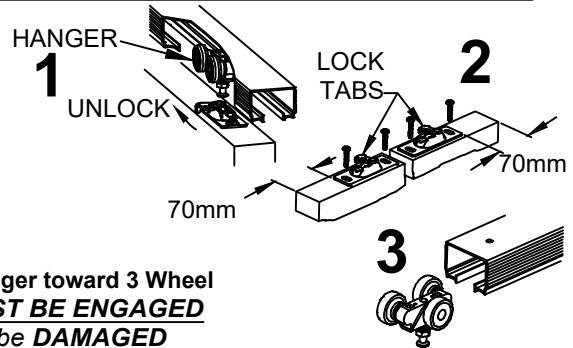
Minimum Door Thickness 25mm

711MM Minimum Door Width for bi-directional soft door close& open operation.

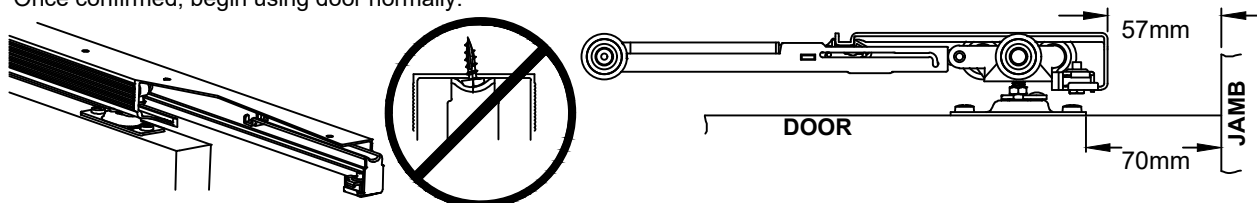
508mm Minimum Door Width for single direction soft door close or open operation.

Following steps are for soft close.

- 1** IF FRAME is already installed, disconnect Hangers from Door Plates and remove door. Remove both Hangers from track-Remove Door Plates from door.
- 2** ATTACH Door Plates 70mm from door edge.
- 3** INSERT Ball Bearing Hanger Wheel assembly into Track.
- 4** Engage Soft Close Dampener by pushing Dampener trigger toward 3 Wheel Roller. This step is very important. **DAMPENER MUST BE ENGAGED** or soft close will not work, Soft Close Dampener may be **DAMAGED** if installed incorrectly. Door will have to be removed and installation will have to begin again.

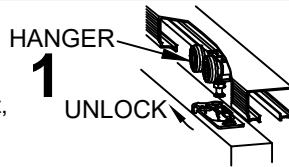


- 7** SLIDE door away from end of track (check to make sure all track screws are flat against track and does not interfere with movement of dampener hanger) and install Actuator Arm into track, with back of Actuator Arm 57mm from Jamb. **HAND TIGHTEN** (do not use power drill) Actuator Arm on track. Check to make sure Arm stayed straight in track. Slowly close door, checking to make sure door touches Jamb, if not. Slide door away from Jamb and readjust Actuator Arm. Slowly close door again, checking to make sure soft close is working properly. Once confirmed, begin using door normally.

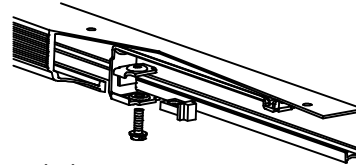


Following steps are for soft open. Skip steps 1-3 if new installation.

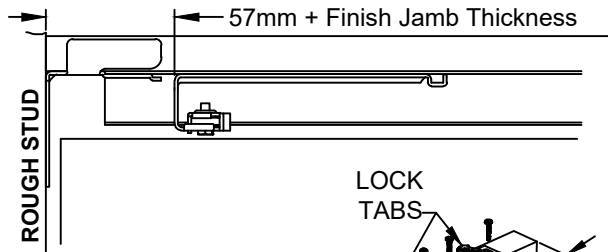
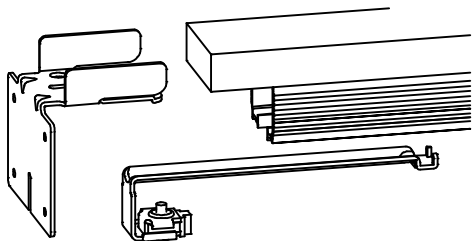
- 1** IF FRAME is already installed, disconnect Hangers from Door Plates and remove door. Remove both Hangers from track-Remove Door Plates from door.
- 2** CUT ACCESS HOLE by measuring door width and door height, then on pocket wall, measure over door width minus 51mm and door height minus 51mm. Then from that mark, measure down 203mm and over toward opening 203mm. Cut square in wall to access track.



- 3** CHECK to make sure all track screws are flat against track. DISASSEMBLE ACTUATOR ARM, (with backside of arm facing pocket), insert arm, bumper and lock nut into track and reassemble. Slide assembly into pocket until backside of Actuator Arm is 57mm plus the finish Split Jamb thickness from the rough stud. **Example 57mm + 11mm Finish Jamb = 68mm.** Hand tighten Actuator Arm (do not use power drill). Check to make sure Arm remains straight in track.

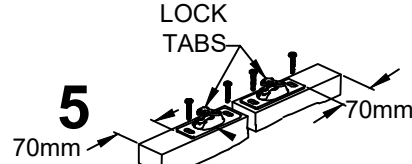


- 4** IF NEW INSTALLATION insert Actuator Arm as shown below.



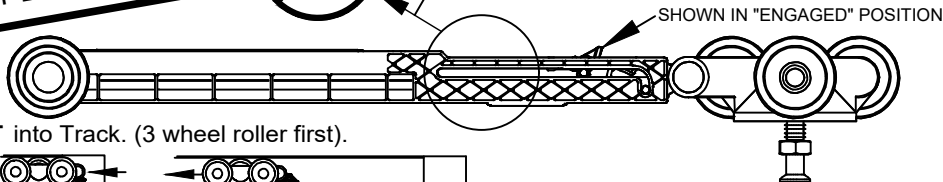
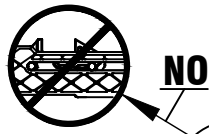
Remove Bracket, Install Actuator Arm, Reattach Bracket.

- 5** ATTACH Door Plates 70mm from door edge.

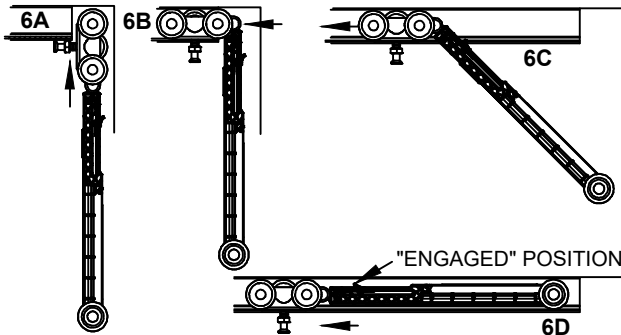


- 6** Engage Soft Close Dampener by pushing Dampener trigger toward 3 wheel roller. This step is very important. DAMPENER MUST BE ENGAGED or soft close will not work, Soft Close Dampener may be **DAMAGED** if installed incorrectly. Door will have to be removed and installation of 1060 will have to begin again.

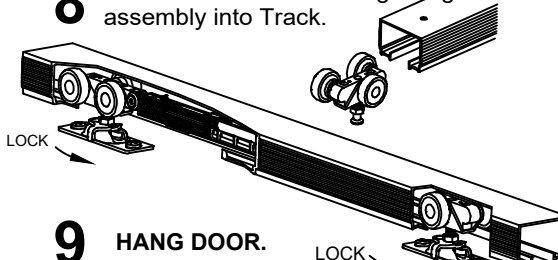
IMPORTANT
MUST BE ENGAGED



- 7** INSERT into Track. (3 wheel roller first).



- 8** INSERT Ball Bearing Hanger Wheel assembly into Track.



- 9** HANG DOOR.

- 10** SLOWLY slide door into pocket, checking to make sure door opens flush with Split Jamb, if not, slide door out of pocket and readjust Actuator Arm. Slowly open door again, checking to make sure soft close is working properly. Once confirmed, begin using door normally. When installing bumper on back of door make sure it bumps rough stud at same time as dampener hanger bumps Actuator bumper.

- 11** PATCH the wall.